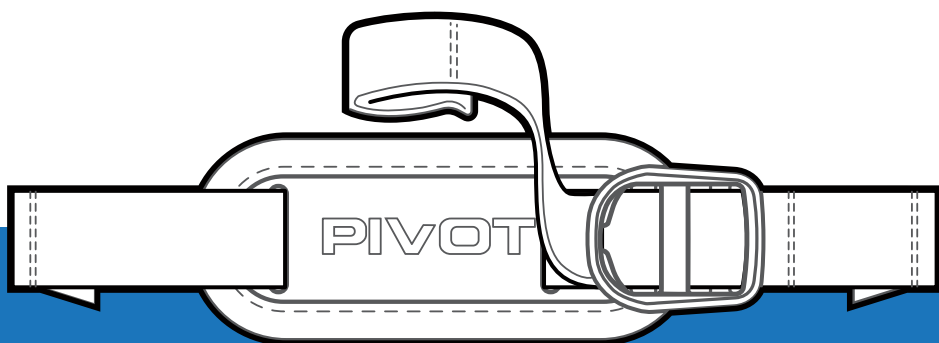


HAND STRAP

PA-HS1 | Quick Introduction

For Use With Compatible PIVOT Cases



[Issued 2020.10.29]

PIVOT[™]

Better Connection. Better Protection.
Making the Case for Aviation.

PIVOT™

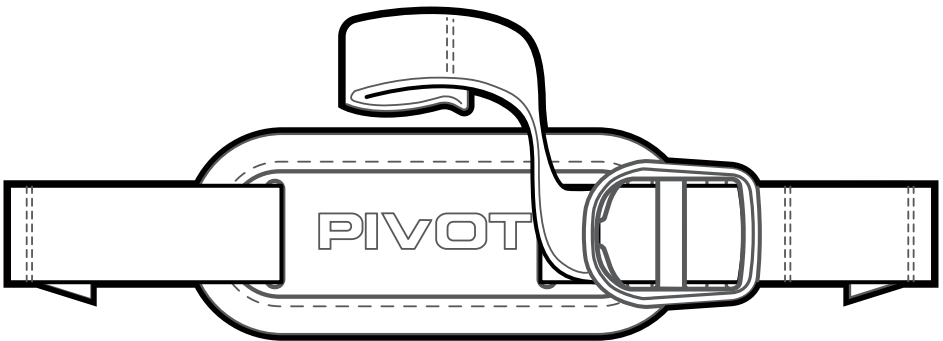
Better Connection. Better Protection.
*Making the **Case** for Aviation.*

PA-HS1 | Quick Introduction *For Use With Compatible PIVOT Cases*



Read Before Use

The PIVOT Hand Strap is designed to attach to compatible PIVOT cases. These cases feature special accessory slots for attaching hand straps, shoulder straps and other exterior accessories to enhance the function of each PIVOT case. Please confirm your PIVOT case is compatible by identifying the accessory slots on the back of the case, left and right of the clip. Instructions for using the accessory slots and attaching the hand strap are included in this document.



PA-HS1
Hand Strap

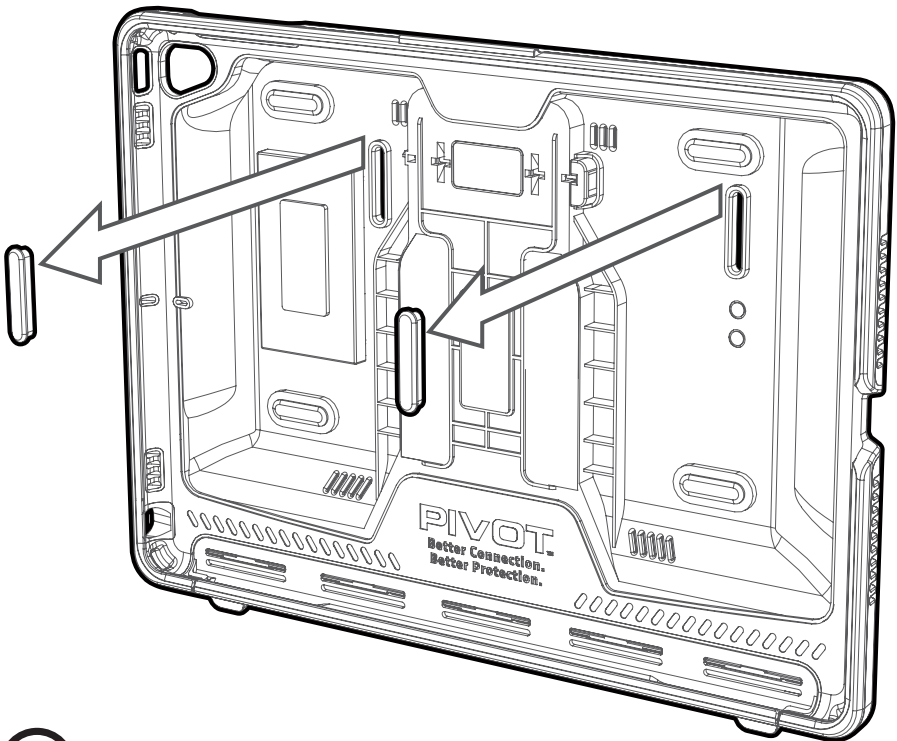
Attaching Hand Strap

STEP 1: Remove the device from the case. Follow the instructions provided with your case or locate instructions for your case at pivotcase.com

STEP 2: Locate the accessory slots, found left and right of the clip. Remove the rubber accessory slot plugs from the inside of the case. Push gently upon the plugs from the exterior of the case while pulling the plugs free from the inside as shown.

! Pro Tip!

Store the accessory slot plugs in a safe and memorable location so they are available if needed in the future. Some users tape the plugs inside of the case body or inside the I.D. window on cases with this feature.



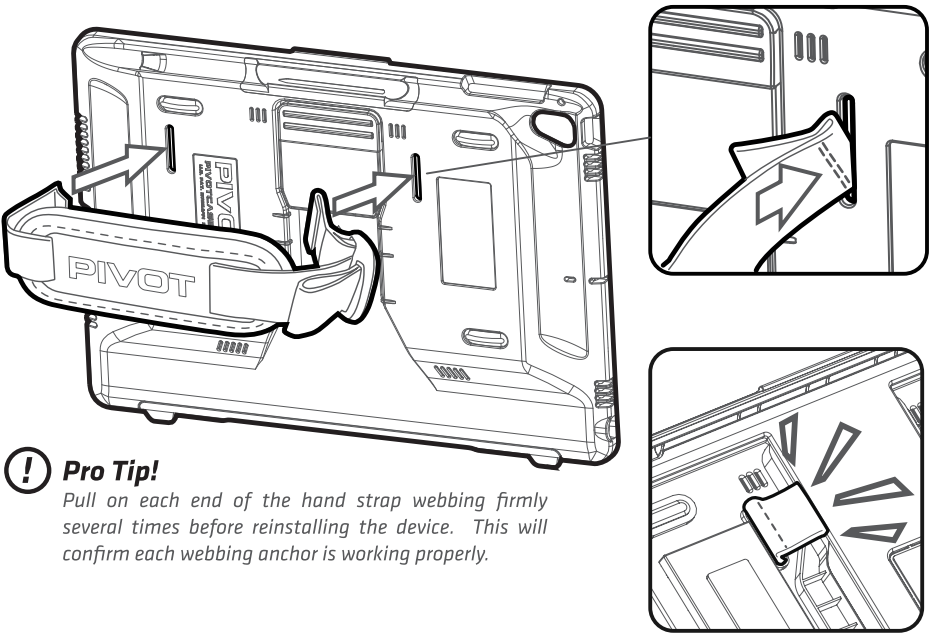
WARNING!

Do not use excessive force or sharp tools of any kind. Doing so may cause damage or injury. If removing the accessory slot plugs proves difficult, use a thin, blunt object such as a coin or paper clip to press the plugs through the slots.

Attaching Hand Strap

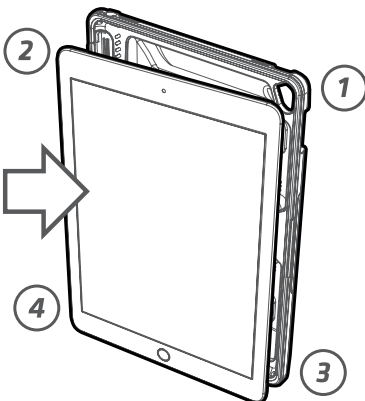
STEP 3: Insert each end of the webbing strap through the open accessory slots in the case. Ensure the strap is not twisted or this will cause adjustment and fit problems.

STEP 4: Pull the webbing straps completely through the accessory slots into the interior of the case. Each end of the webbing is stitched back upon itself to create an anchoring feature. Ensure the webbing anchor unfolds to lock the webbing into the accessory slot while pulling against it in the opposite direction.



! Pro Tip!

Pull on each end of the hand strap webbing firmly several times before reinstalling the device. This will confirm each webbing anchor is working properly.



Installing Device

Align device camera and buttons with the corresponding access points in the case body and press the corners of the device into the case in the order shown. The device will snap securely into the case's perimeter seal.

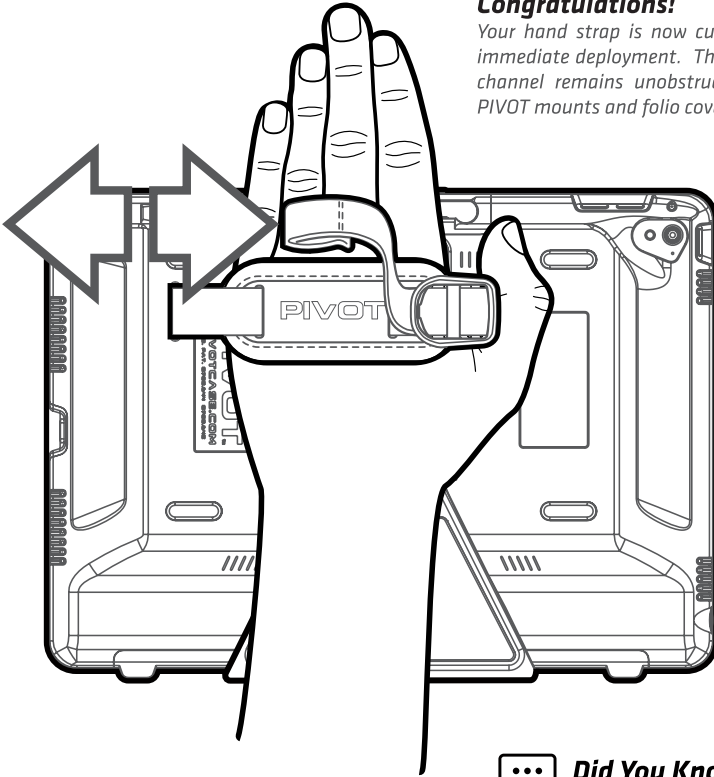
Follow the instructions provided with your case or locate instructions for your case at pivotcase.com

Adjusting Fit

Make the hand strap tighter by pulling the excess webbing through the plastic webbing lock. It will cinch the webbing in place. Loosen the strap by lifting the plastic webbing lock to release tension on the webbing.

Congratulations!

Your hand strap is now custom fit and ready for immediate deployment. The PIVOT case mounting channel remains unobstructed for connecting to PIVOT mounts and folio covers accessories.



Did You Know?

The webbing lock is designed to automatically loosen with a certain amount of force. This will allow hands to come free and prevent injury if the hand strap or case is caught in a dangerous position. Safety First!

Additional Information

To learn more about PIVOT cases, mounts and accessories, please visit pivotcase.com for instructional videos, product support and information about other PIVOT solutions. You'll find valuable online resources provided to enhance your user experience and see the complete line of PIVOT products.

Thank you.

Learn more at:
PIVOTCASE.COM

PIVOT SUPPORT

If you have questions please contact PIVOT Support.



www.pivotcase.com/support



sales@pivotcase.com



1-888-4-FLYBOYS (1-888-435-9269)



www.youtube.com/c/pivotcasevideo



#EFBMADESIMPLE
@PIVOTCASE