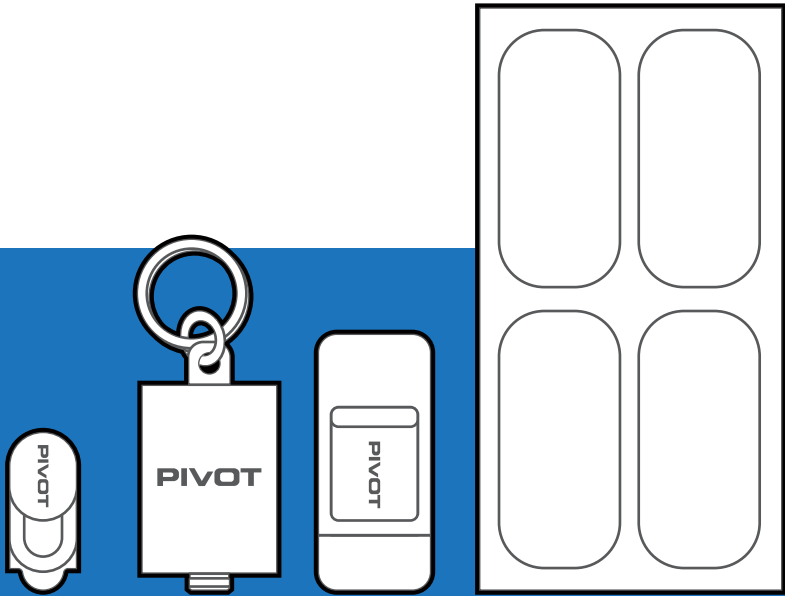


SECURITY KIT

PA-SK-1 | Quick Introduction

For Use With Compatible PIVOT Cases



[Issued 2021.04.06]

PIVOT[™]

Better Connection. Better Protection.
Making the Case for Aviation.

PIVOT™

Better Connection. Better Protection.
*Making the **Case** for Aviation.*

PA-SK-1 | Quick Introduction *For Use With Compatible PIVOT Cases*



Read Before Use

The PIVOT Security Kit mitigates security concerns and minimizes the potential for classified information compromised through the device cameras or microphone. The PIVOT Security Kit includes sliding covers for the front and rear cameras. The kit includes optional stickers that can be placed over the front camera. Additionally, the kit includes a microphone blocker that plugs into the microphone opening on PIVOT cases.

PA-SK1 Overview:



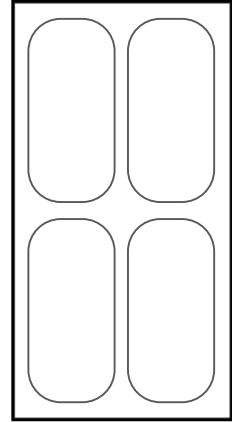
PA-CB-1
Small Sliding
Camera Blocker



PA-CB-2
Microphone Blocker
3.5mm



PA-MB-1
Large Sliding
Camera Blocker



PA-SS-1104
Security Stickers

Device Compatibility

Large Sliding Camera Cover: Compatible with all PIVOT Cases that do NOT use a front frame/bezel (e.g. PIVOT Mini Cases).

Rear Camera: Sliding Cover compatible with iPad models with a single rear facing camera.

Security Stickers: All iPad models/PIVOT cases. Designed specifically for PIVOT cases that use a front frame/bezel (e.g., PIVOT Mini cases).

Microphone Blocker compatible with any devices that have a 3.5mm headset jack.

Depending on the device/case model, installation and removal may require removing the device from the case.

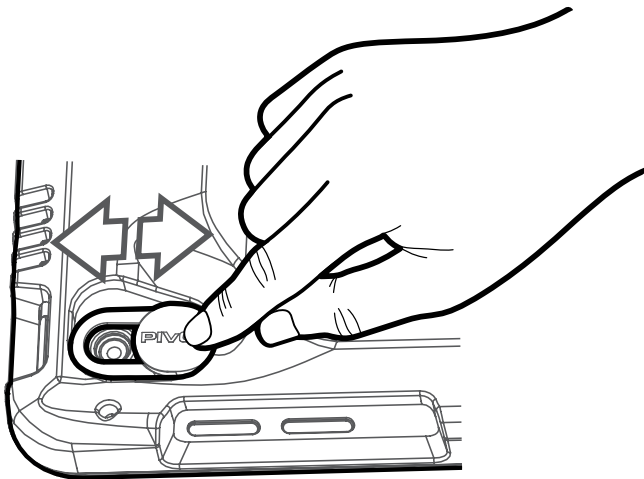
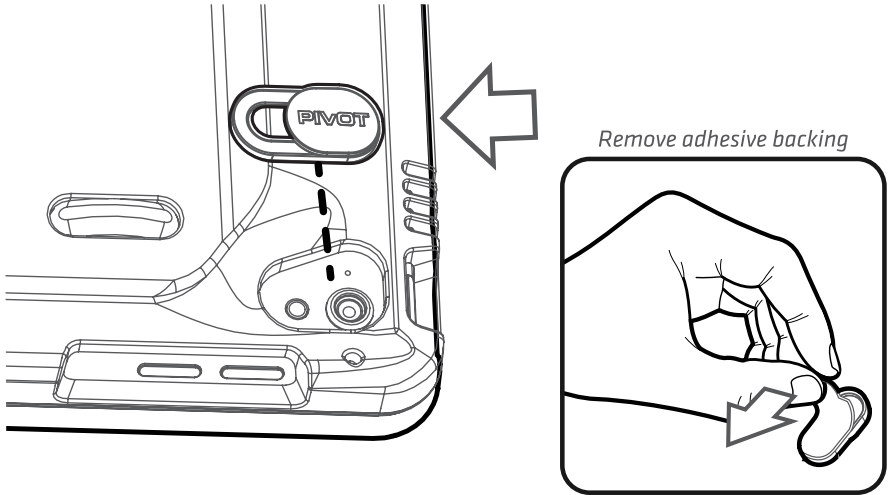
PA-CB-1 Small Sliding Camera Blockers

STEP 1: Clean camera surface and surrounding using manufacturer's recommended methods.

STEP 2: Check for fit/compatibility with device and PIVOT case before final application.

STEP 3: Remove PA-CB-1 adhesive backing, align the hole on the sliding camera blocker with device camera and lightly place blocker into position.

STEP 4: Test for proper function and adjust if necessary. Press firmly when complete.



! Pro Tip!

Is intended for use on rear facing cameras.

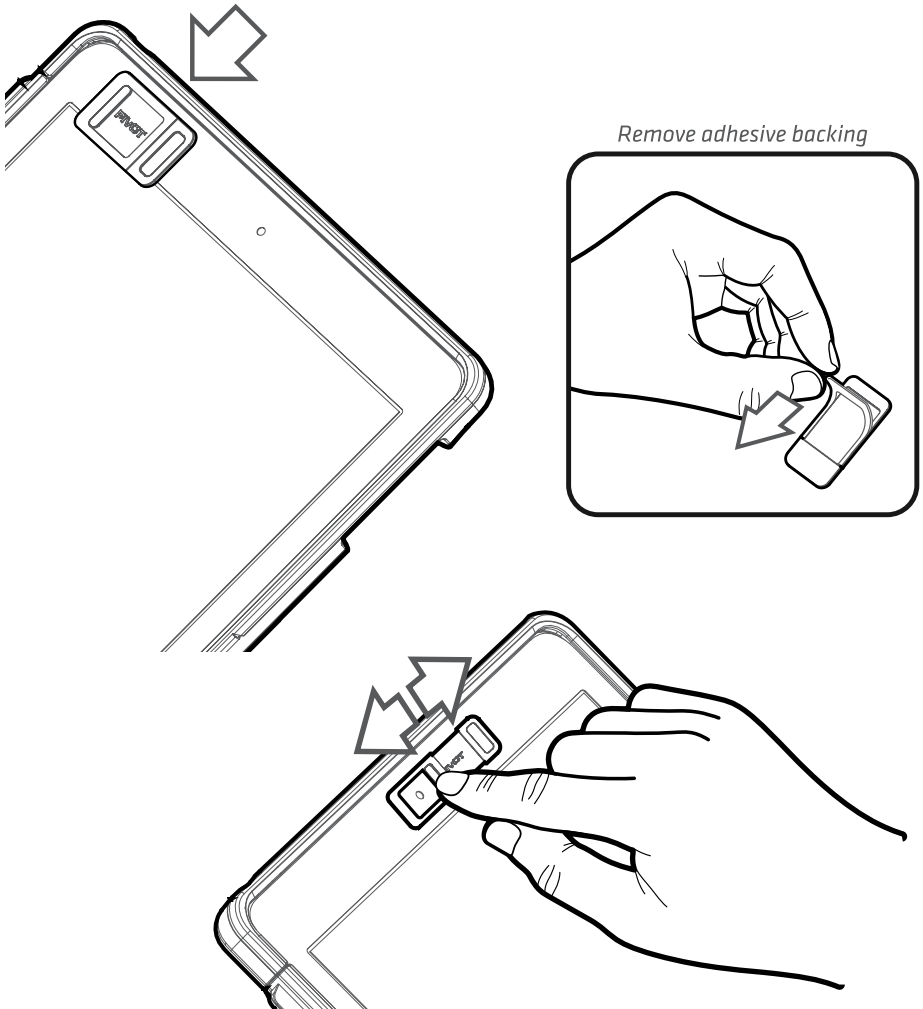
PA-CB-2 Large Sliding Camera Blockers

STEP 1: Clean camera surface and surrounding using manufacturer's recommended methods.

STEP 2: Check for fit/compatibility with device and PIVOT case before final application.

STEP 3: Remove PA-CB-2 adhesive backing, align the hole on the sliding camera blocker with device camera and lightly place blocker into position.

STEP 4: Test for proper function and adjust if necessary. Press firmly when complete.



Pro Tip!

Is intended for use on front facing cameras. Also remember to adjust ambient light sensor setting in the device menu after installing.

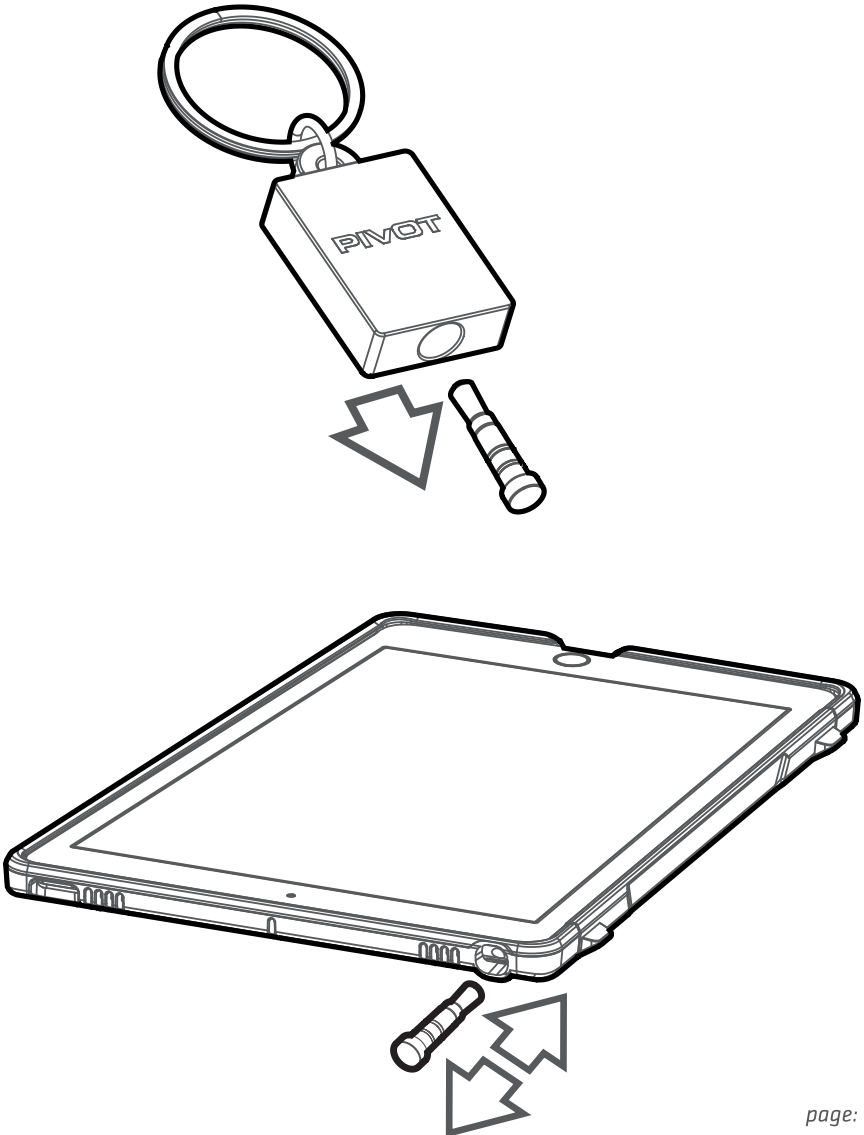
PA-MB-2 Microphone Blockers, 3.5mm

STEP 1: The PA-MB-1 fits only standard 3.5mm headphone jacks.

STEP 2: Remove the audio block from the case.

STEP 3: Insert the PA-MA-1 into the audio jack of the device.

STEP 4: Remove the PA-MB-1 to restore microphone function. This may require first removing the protective case depending on device type and case.



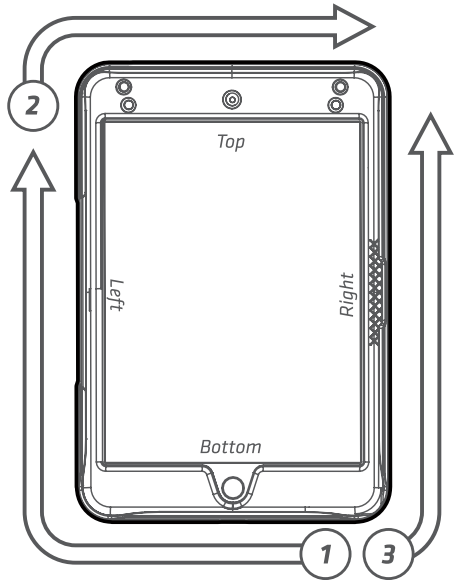
PA-SS-1104 Security Sticker

If the sliding camera blockers are not compatible with device or case, use PA-SS-1104 Security Stickers.

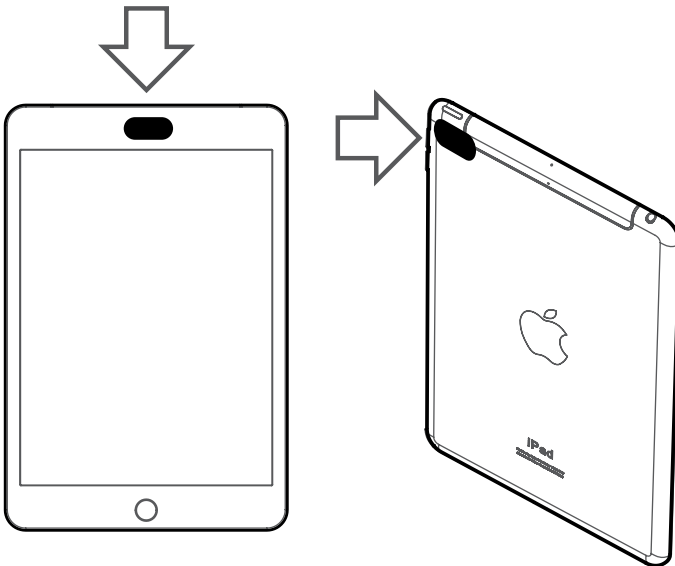
STEP 1: Removing Device

Beginning with the bottom edge near the charging port, press firmly using your thumbs to disengage the case seal. Continue carefully pressing around the edges of the case to release the device in the order shown. Do not attempt to pry or force the device from the case.

1. Start at the bottom and move left
2. Continue around the top edge
3. Release the right edge to remove device



STEP 2: Put the stickers to cover the rear and front camera.

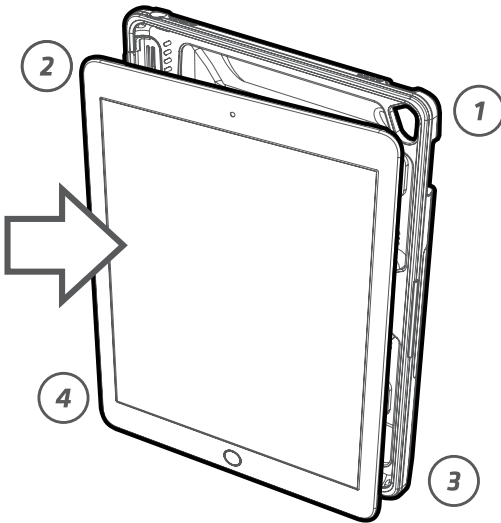


Pro Tip!

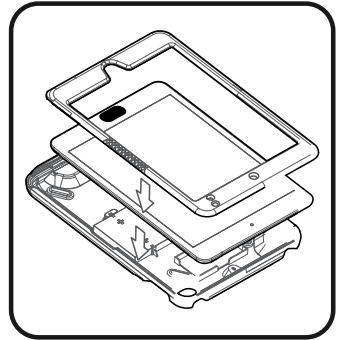
Follow the instructions provided with your case or locate instructions for your case at pivotcase.com

STEP 3: Installing Device

Align device camera and buttons with the corresponding access points in the case body and press the corners of the device into the case in the order shown. The device will snap securely into the case's perimeter seal.



Align device camera and buttons



! Pro Tip!

Press firmly around all edges of the front frame to engage the locking tabs. When pressing each edge into a locked position.

Additional Information

To learn more about PIVOT cases, mounts and accessories, please visit pivotcase.com for instructional videos, product support and information about other PIVOT solutions. You'll find valuable online resources provided to enhance your user experience and see the complete line of PIVOT products.

Thank you.

Learn more at:
PIVOTCASE.COM

PIVOT SUPPORT

If you have questions please contact PIVOT Support.



www.pivotcase.com/support



sales@pivotcase.com



1-888-4-FLYBOYS (1-888-435-9269)



www.youtube.com/c/pivotcasevideo



#EFBMADESIMPLE
@PIVOTCASE

TM and © 2021 FlyBoys. All rights reserved.
Designed in USA.

PIVOTTM

Better Connection. Better Protection.
*Making the **Case** for Aviation.*