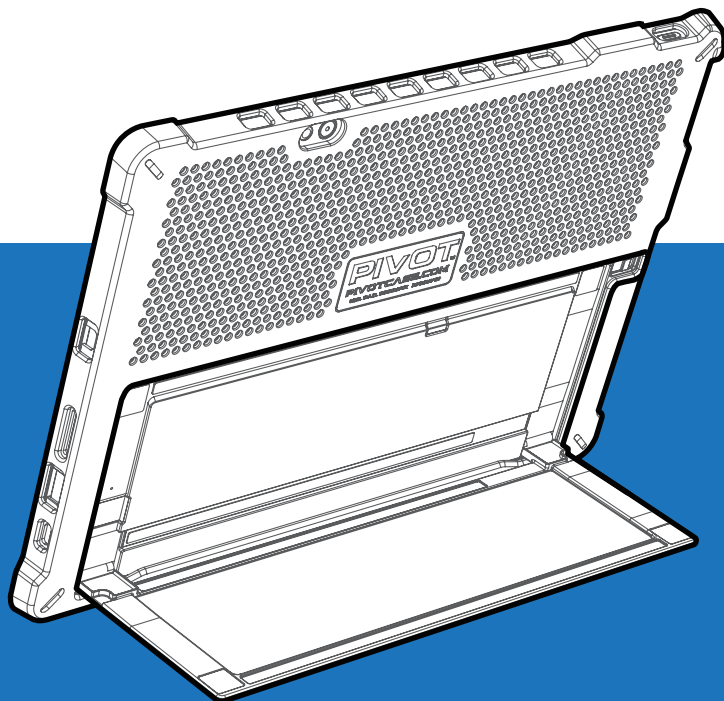


# PROTECTIVE SKIN

## PC-X1S | Quick Introduction

*For Lenovo X1 (2nd Gen.)*



[Issued 2022.06.22]

# PIVOT™

Better Connection. Better Protection.  
*Making the Case for Aviation.*

# PIVOT™

**Better Connection. Better Protection.**  
*Making the **Case** for Aviation.*

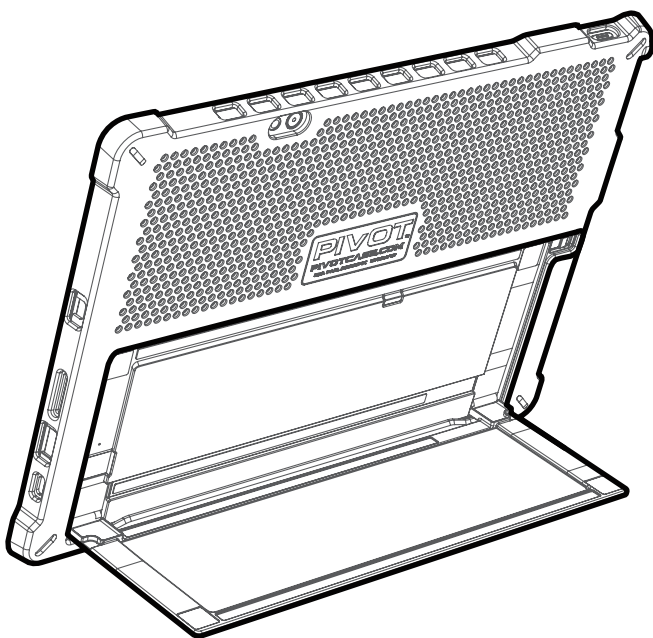
## PC-X1S | Quick Introduction

*For Lenovo X1 (2nd Gen.)*



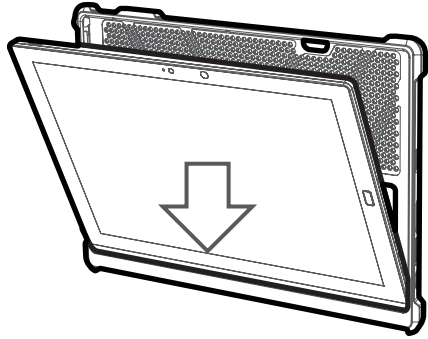
### Read Before Use

*For optimal performance and maximum satisfaction with your PIVOT case and accessories, please follow this set of simple recommendations to ensure proper use and superior performance. Visit PIVOT online to learn more about your new product, including instructions for setup and other features.*



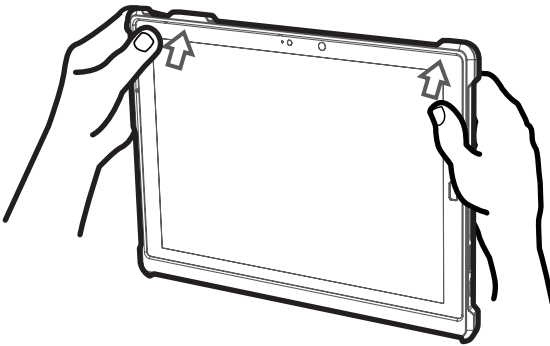
## Installing Device

*STEP 1: Align device camera and buttons with the corresponding access points in the case skin. Begin by inserting the bottom edge of the device as shown. The device will begin to snap securely into the perimeter seal.*



### **! Pro Tip!**

*Do not use excessive force. The skin is designed to fit tightly, but only mild application of pressure is required.*



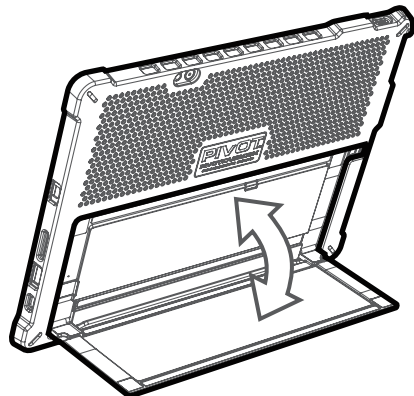
*STEP 2: Press the device into the case skin as illustrated. Ensure all edges and features of the device and case skin are properly aligned. The device will snap completely into the case's perimeter seal.*

*Installation is complete. Reverse this process to remove.*

## Using Device Features

*The protective skin is designed to allow full use of all the Lenovo X1 device features and functions. The skin is compatible with the Lenovo X1 rear support stand and the Lenovo X1 removable keyboard.*

*For more information regarding the features of the Lenovo X1 device, please refer to the device manufacturer's instructions.*



# *Thank you.*

*Learn more at:*  
**PIVOTCASE.COM**

## *PIVOT SUPPORT*

*If you have questions please contact PIVOT Support.*

 [www.pivotcase.com/support](http://www.pivotcase.com/support)

 [sales@pivotcase.com](mailto:sales@pivotcase.com)

 1-888-4-FLYBOYS (1-888-435-9269)

 [www.youtube.com/c/pivotcasevideo](http://www.youtube.com/c/pivotcasevideo)



#EFBMADESIMPLE  
@PIVOTCASE

TM and © 2022 FlyBoys. All rights reserved.  
Designed in USA.

**PIVOT**<sup>TM</sup>  
Better Connection. Better Protection.  
*Making the **Case** for Aviation.*